

# K1400-K2200

IRREVERSIBLE OPERATOR  
FOR RESIDENTIAL SLIDING GATES



- Equipped with built-in pc board, radio receiver, gradual start, electronic adjustment of the force, soft-stop in approaching and electronic brake (as standard features).
- All the K operators allow slow-down of the gate when approaching, giving the travel a greater impression of safety and fluidity.
- Release with personalized key or allen key.
- L1-CRX: Pedestrian opening command. Photocells autotest as required by EN12453. Built-in heating system with ACG4665 to withstand -30°C.
- The K operators are now also available with a magnetic limit switch system for the same price of the electromechanical version.



## FOR SLIDING GATES WEIGHING UP TO 1400 kg

NEW

|         |           |  |
|---------|-----------|--|
| AA31140 | K1400 FCE | complete with L1-CRX pc board, electro-mechanical limit switches |
| AA31142 | K1400 FCM | complete with L1-CRX pc board, magnetic limit switches           |

NEW

|         |               |                 |
|---------|---------------|-----------------|
| AD31140 | KIT K1400 FCE | (up to 1400 kg) |
| AD31142 | KIT K1400 FCM | (up to 1400 kg) |



## FOR SLIDING GATES WEIGHING UP TO 2200 kg

NEW

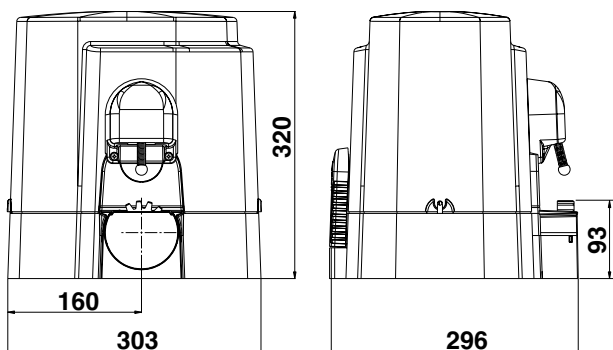
|         |           |  |
|---------|-----------|--|
| AA31150 | K2200 FCE | complete with L1-CRX pc board, electro-mechanical limit switches |
| AA31152 | K2200 FCM | complete with L1-CRX pc board, magnetic limit switches           |

NEW

|         |               |                 |
|---------|---------------|-----------------|
| AD31150 | KIT K2200 FCE | (up to 2200 kg) |
| AD31152 | KIT K2200 FCM | (up to 2200 kg) |



|         |  |
|---------|--|
| GAR0012 | Warranty extension 4 years for K1400 and K2200 |
| GAR0013 | Warranty extension 7 years for K1400 and K2200 |



Dimensions in mm

| TECHNICAL DATA                      |     | K1400     | K2200  |
|-------------------------------------|-----|-----------|--------|
| Max. gate weight                    | Kg  | 1400      | 2200   |
| Operating speed                     | m/s | 0,16      |        |
| Max. thrust force                   | N   | 790       | 1150   |
| Max torque                          | Nm  | 27        | 39     |
| Power supply                        | V   | 230       |        |
| Power absorbed                      | A   | 1,18      | 1,1    |
| Rack module                         |     | 4         |        |
| Actuator weight                     | Kg  | 15        | 16     |
| Protection grade                    | IP  | 44        |        |
| Operating temperature               | °C  | -10 ÷ +55 |        |
| Daily cycles suggested              |     | 400       | 500    |
| Service                             | %   | 70        |        |
| Nr of consecutive cycles guaranteed |     | 15/10m    | 15/10m |

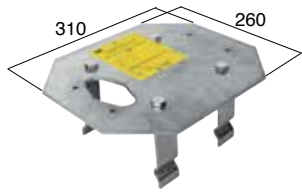
# ACCESSORIES FOR K1400-2200



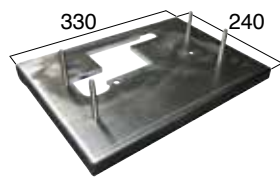
**ACG4665 PROBE**  
for K-CRX 2007 and L1-CRX to keep the motor warm (for prompt start at low temperatures)



**ACG5460 SET PLUS**  
Encoder to detect obstacles during opening and closing operations.



**ACG8107 BASE PLATE**  
for K800-1400-2200



**ACG8118 BASE PLATE**  
adapter CAME BX for K1400-K2200



**ACS9020 Module 4 STEEL RACK**  
(sect. 22 x 22 mm )  
(up to 2200 kg)  
in 2 m bars per m



**ACS9040 Module 4 STEEL RACK**  
(sect. 22 x 22 mm) with right-angle member (up to 2200 kg)  
in 2 m bars per m



**ACS9050 Module 4 STEEL RACK**  
(sect. 22 x 22 mm) with CATAPHORESIS treatment, right-angle member (up to 2200 kg)  
in 2 m bars per m



**ACG8672 RELEASE LOCK WITH ALLEN KEY**

**NEW**



**ACS9021 Module 4 Galvanised STEEL RACK** (sect. 30 x 12 mm )  
(up to 2.000 kg) with fixing bolts  
in 1 m bars per m



K-FCE



K-FCM



**KIT K1400-2200**  
See page 105

starting from